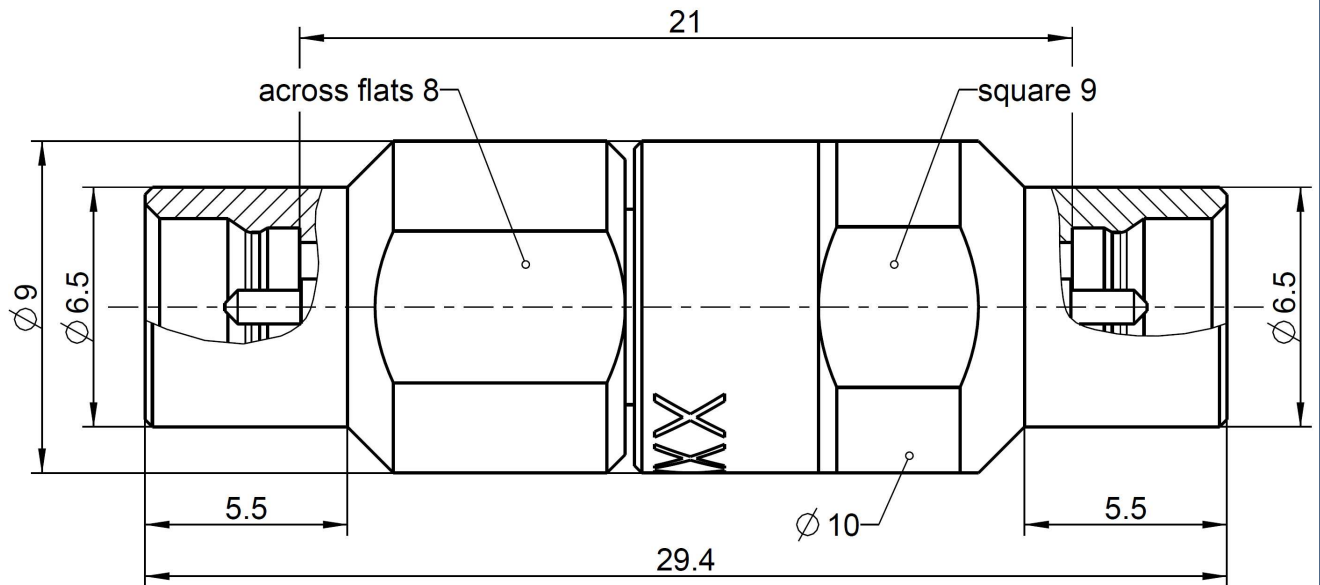
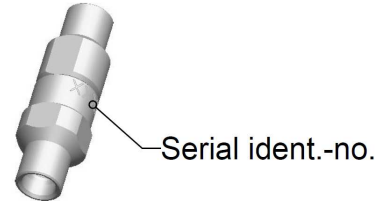


P-SMP

Calibration Adaptor  
Plug full detent / Plug full detent

**119S101-S20D3**



All dimensions are in mm; tolerances according to ISO 2768 m-H

**Interface**

According to Rosenberger P-SMP

**Documents**

Application note AN001 "Calibration Services"

**Material and plating**

**Connector parts**

Center conductor	<b>Material</b> CuBe	<b>Plating</b> Gold, min. 1.27 µm, over nickel
Outer conductor	CuBe or equiv.	Gold, min. 1.27 µm, over nickel
Dielectric	PS	

Dieses Dokument ist urheberrechtlich geschützt • This document is protected by copyright • Rosenberger Hochfrequenztechnik GmbH & Co. KG

RF\_35/05.10/6.0

**Electrical data**

Frequency range	DC to 10 GHz
Return loss	≥ 30 dB, DC to 4 GHz ≥ 26 dB, 4 GHz to 10 GHz

**Mechanical data**

Mating cycles	≥ 100
Engagement force	
- Full detent	68 N
Disengagement force	
- Full detent	25 N
Gauge	0.00 mm to 0.08 mm

**General standard definition**

For proper operation the vector network analyzer (VNA) needs a model describing the electrical behaviour of this calibration standard. The different models, units, and terms used will depend on the VNA type and they will have to be entered into the VNA. All values are based on typical geometry and plating.

Offset $Z_o$ / Impedance / $Z_o$	50 $\Omega$
Offset Delay	71.6899 ps
Length (electrical) / Offset Length	21.50 mm
Offset Loss	2.51 G $\Omega$ /s
Loss	0.0156 dB/ $\sqrt{\text{GHz}}$

**Environmental data**

Operating temperature range <sup>1</sup>	+20 °C to +26 °C
Rated temperature range of use <sup>2</sup>	0 °C to +50 °C
Storage temperature range	-40 °C to +85 °C

RoHS compliant

<sup>1</sup> Temperature range over which these specifications are valid.

<sup>2</sup> This range is underneath and above the operating temperature range, within the calibration adaptor is fully functional and could be used without damage.

**Declaration of calibration options**

**Factory Calibration**

Standard delivery for this calibration standard includes a Factory Calibration. The Calibration Certificate issued reports individual calibration results, **traceable to Rosenberger standards**, national / international standards are not available. Model based standard definitions are reported in an Agilent/Keysight, Rohde & Schwarz and Anritsu compatible VNA format.

**Accredited Calibration**

Not available.

*For further, more detailed information see application note AN001 on the Rosenberger homepage.*

**Calibration interval**

Recommendation 12 months

**Packing**

Standard 1 pce in box  
Weight 10.3 g/pce

While the information has been carefully compiled to the best of our knowledge, nothing is intended as representation or warranty on our part and no statement herein shall be construed as recommendation to infringe existing patents. In the effort to improve our products, we reserve the right to make changes judged to be necessary.

Dieses Dokument ist urheberrechtlich geschützt • This document is protected by copyright • Rosenberger Hochfrequenztechnik GmbH & Co. KG

RF\_35/05.10/6.0

Draft	Date	Approved	Date	Rev.	Engineering change number	Name	Date
O. Krautenbacher	20/11/12	Herbert Babinger	25/04/16	d00	14-1492	M.Ruf	25/04/16
Rosenberger Hochfrequenztechnik GmbH & Co. KG P.O.Box 1260 D-84526 Tittmoning Germany <a href="http://www.rosenberger.de">www.rosenberger.de</a>						Tel. : +49 8684 18-0 Email : <a href="mailto:info@rosenberger.de">info@rosenberger.de</a>	
							Page 3 / 3