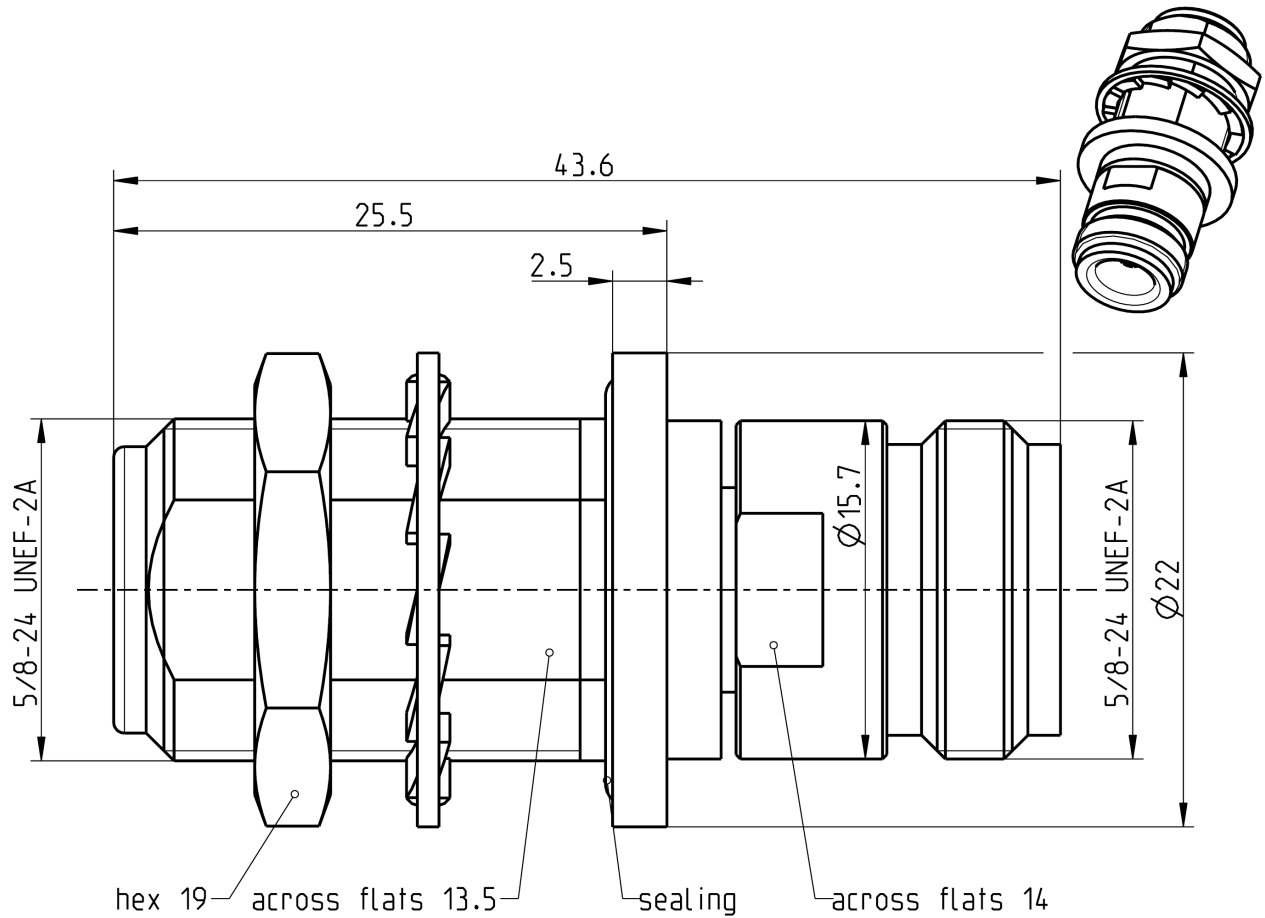


RPC-N
50 Ω

Adaptor
jack – jack

05K521-K00S3



All dimensions are in mm; tolerances according to ISO 2768 m-H

Interface

According to

IEC 61169-16; MIL-STD 348A/402

Documents

Panel piercing

B 13

Material and plating

Connector parts

Center contact
Outer contact
Dielectric
Gasket
Hexagon nut
Toothed lock washer

Material

CuBe
Stainless steel
PPE
NBR
Brass
Stainless steel

Plating

Gold, min. 1.27 μm, over chemical nickel
Passivated

White bronze(e.g. Optalloy®)
Passivated

Dieses Dokument ist urheberrechtlich geschützt • This document is protected by copyright • Rosenberger Hochfrequenztechnik GmbH & Co. KG

RF_35/09;14/6.2

Technical Data Sheet

Rosenberger

RPC-N
50 Ω

Adaptor
jack – jack

05K521-K00S3

Electrical data

Impedance	50 Ω
Frequency	DC to 18 GHz
Return loss	≥ 26 dB, DC to 18 GHz
Insertion loss	≤ 0.05 x $\sqrt{f(\text{GHz})}$ dB
Insulation resistance	≥ 5 GΩ
Test voltage (at sea level)	2500 V rms
Working voltage (at sea level)	1000 V rms
RF-leakage	≥ 90 dB up to 1 GHz

Mechanical data

Mating cycles	≥ 500
Center contact captivation	≥ 28 N
Coupling test torque	1.70 Nm
Recommended torque	0.70 Nm to 1.10 Nm

Environmental data

Temperature range	-40°C to +85°C
Thermal shock	IEC 61169-1, Subclause 9.4.4
Corrosion	IEC 61169-1, Subclause 9.4.6
Vibration	IEC 61169-1, Subclause 9.3.3
Shock	IEC 61169-1, Subclause 9.3.14
Moisture resistance	IEC 61169-1, Subclause 9.4.3
RoHS	compliant

Tooling

N/A

Suitable cables

N/A

Weight

55.2 g/pce

While the information has been carefully compiled to the best of our knowledge, nothing is intended as representation or warranty on our part and no statement herein shall be construed as recommendation to infringe existing patents. In the effort to improve our products, we reserve the right to make changes judged to be necessary.

Draft	Date	Approved	Date	Rev.	Engineering change number	Name	Date
H. Babinger	19.10.06	F. Reiner	17.10.18	c00	19-1952	A. Youmsi	17.10.19

Rosenberger Hochfrequenztechnik GmbH & Co. KG
P.O.Box 1260 D-84526 Tittmoning Germany
www.rosenberger.de

Tel. : +49 8684 18-0
Email : info@rosenberger.de

Page

2 / 2